

# Round or Square Element 4" Pro Series Housing with Emergency Battery Backup

E4P\_-L\_E

1.0

## VISUAL COMFORT & Co.

ARCHITECTURAL COLLECTION

LED - ROUND/SQUARE

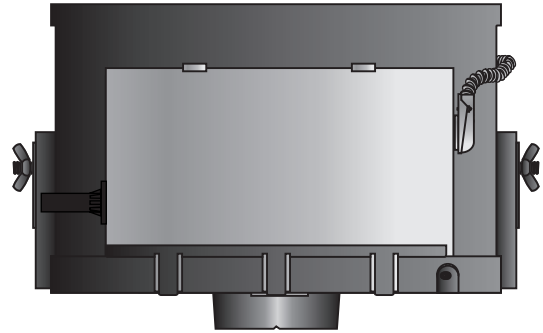
### GENERAL PRODUCT INFORMATION:



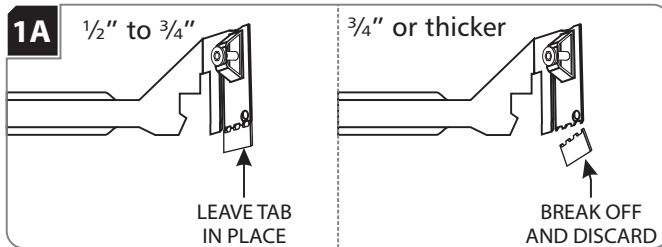
This product is suitable for indoor locations.

This product can be dimmed with a standard electronic dimmer.

This instruction shows a typical installation.

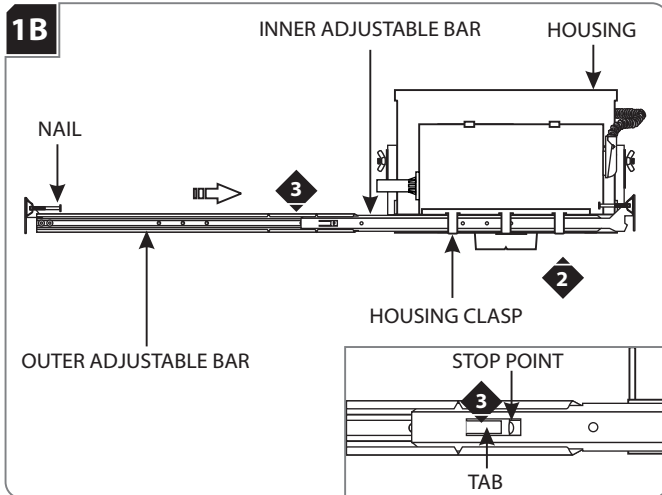


### Install the Housing with Adjustable Bars



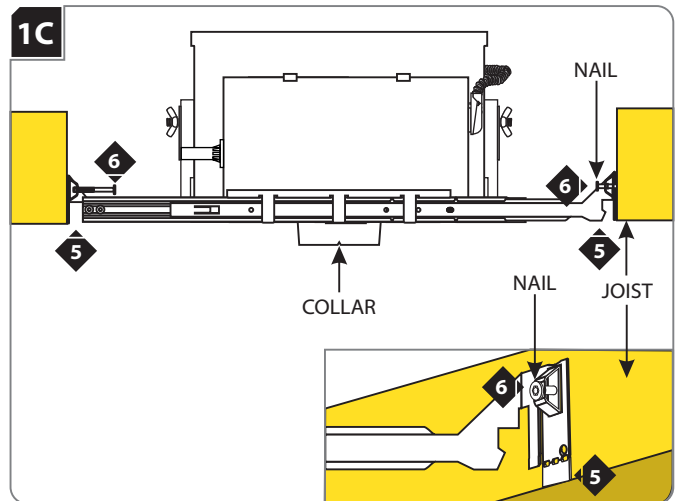
**NOTE:** Skip this section if installing the housing with butterfly brackets.

- 1** **Keep Tab for ceiling 1/2" to 3/4" thick.**  
 When using adjustable hanger bars with 1/2" to 3/4" thick ceilings, leave the tab of the hanger bars in place.  
**Break off Tab for ceiling 3/4" or thicker.**  
 When using adjustable hanger bars with 3/4" or thicker ceilings, remove the tab by bending it at the perforation.



- 2** Slide the inner adjustable bar completely through the three housing clasps. Make sure the nail is on top.
- 3** Slide and push the outer adjustable bar completely onto the inner adjustable bar so that the tab clicks into place behind the stop point. This will prevent the adjustable bars from coming apart.
- 4** Repeat steps 2 & 3 for the other side of the housing.

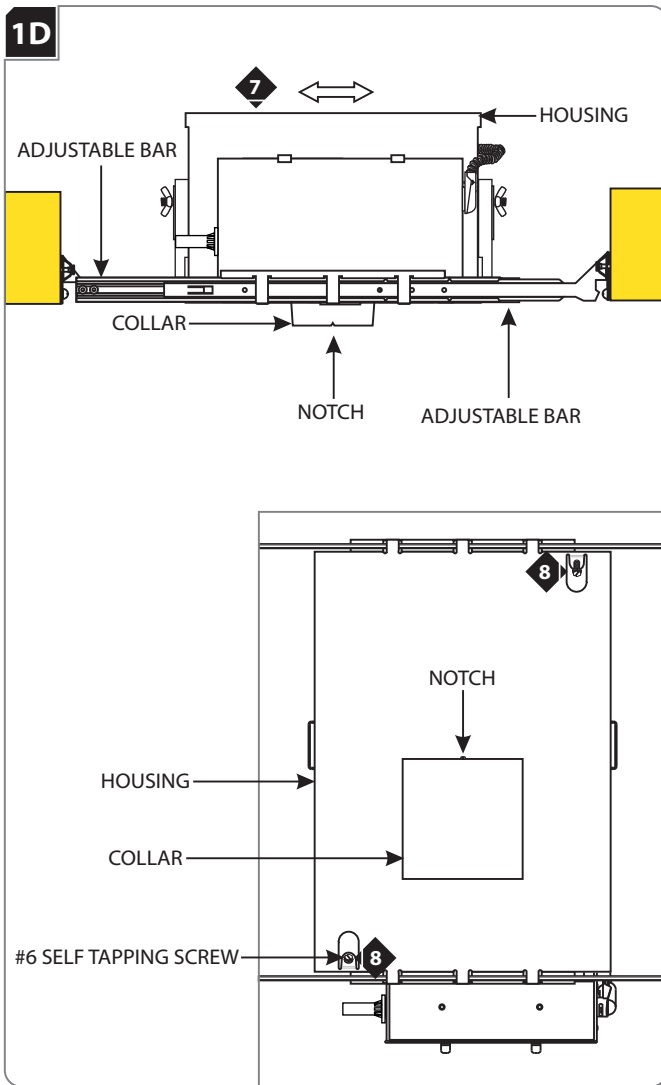
**CAUTION - RISK OF FIRE**  
 This product must be installed in accordance with the applicable installation code by a person familiar with the construction and operation of the product and the hazards involved.  
 Use minimum 90°C supply conductors.



**NOTE:** The adjustable bars can be mounted to joists that are spaced 16" - 24" apart.

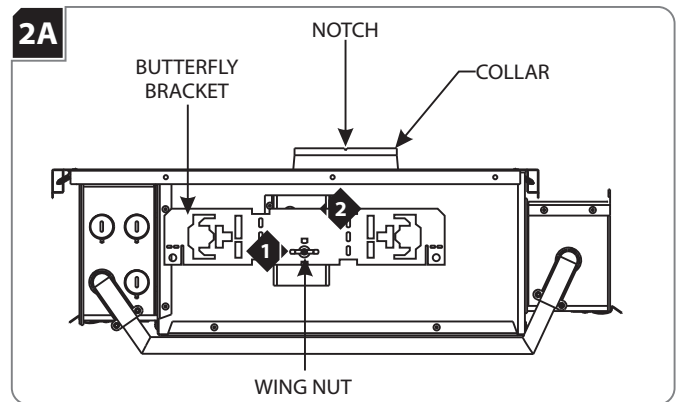
- 5** Align the bottom of the end plates with the bottom of the ceiling joists.
- 6** Level the adjustable bars and, with a hammer, tap the nails completely into the joists to secure the adjustable bars in place.

## Install the Housing with Butterfly Brackets



- 7 Adjust the collar position (horizontal position) by sliding the housing on adjustable bars.
- 8 When the desired location is achieved, tighten the two #6 self tapping screws to lock the housing onto the adjustable bars.

**NOTE:** Notches in collar can be used to align multiple housings using a laser or string.

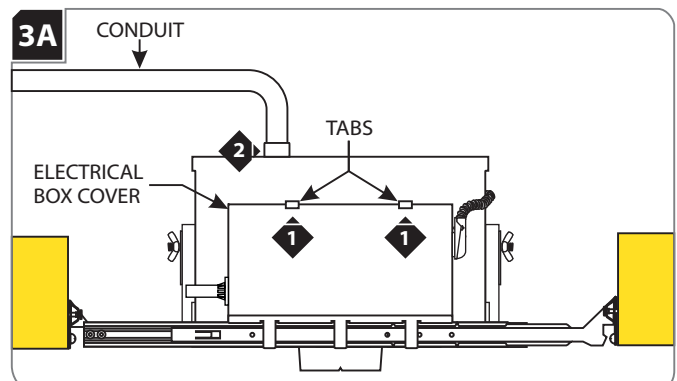


**NOTE:** Skip to section 3 if installing the housing with adjustable bars.

- 1 Slightly loosen the wing nut to slide the butterfly bracket up or down.
- 2 After achieving the proper location, tighten the wing nut to secure the butterfly bracket in place.
- 3 Repeat steps 1 and 2 on for the other butterfly bracket.
- 4 Utilize the butterfly brackets to install the housing in accordance with local electrical codes.

**TIP:** Notches in collar can be used to align multiple housings using a laser or string.

## Connect Power to the Housing

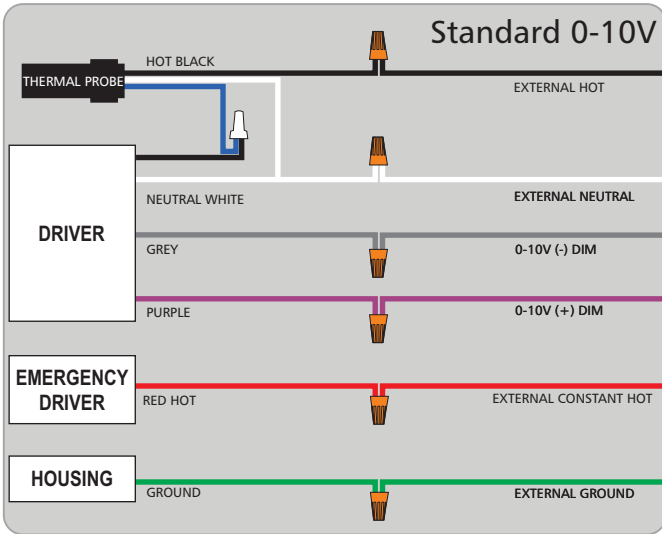
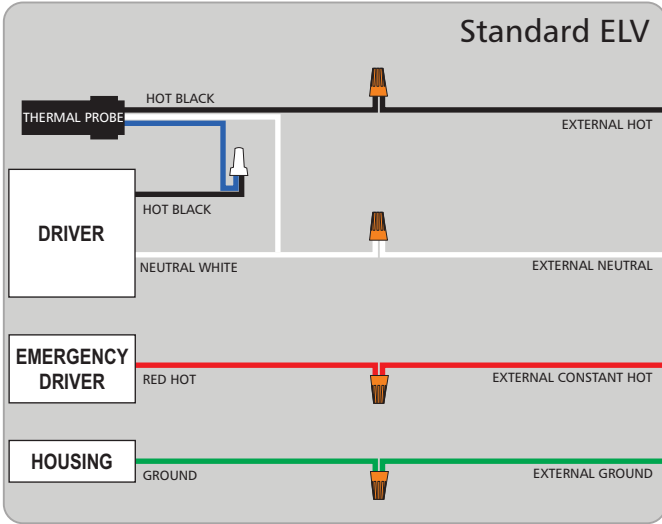


- 1 Push up on the tabs on the electrical box and remove the electrical box cover.
- 2 Install the conduit to the housing electrical box.
- 3 Run the power line wires into the housing electrical box.
- 4 Use the appropriate wiring diagram on the following pages to wire your fixture accordingly.

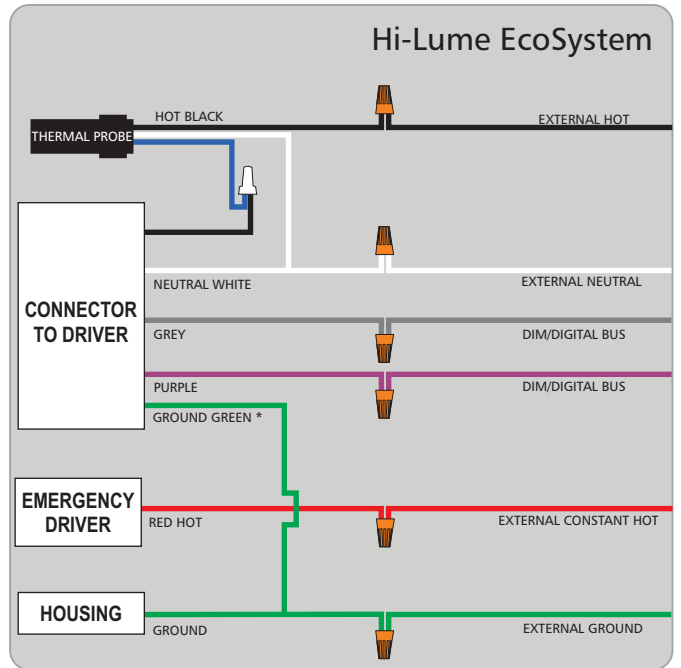
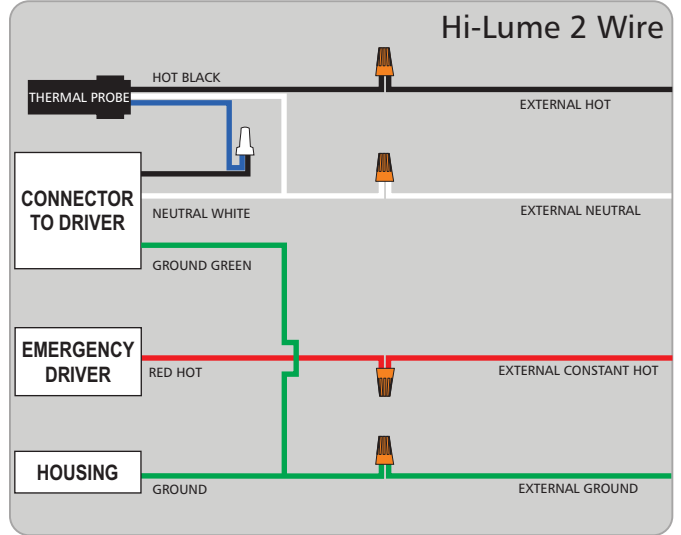
**WARNING: RISK OF FIRE:** When using the housing electrical box for power feed through, use **MAX** 4 - #12 AWG, or 6 - #14 AWG branch circuit wires.

# EMERGENCY NON-IC LABELED FIXTURE WIRING

## Standard Driver Wiring



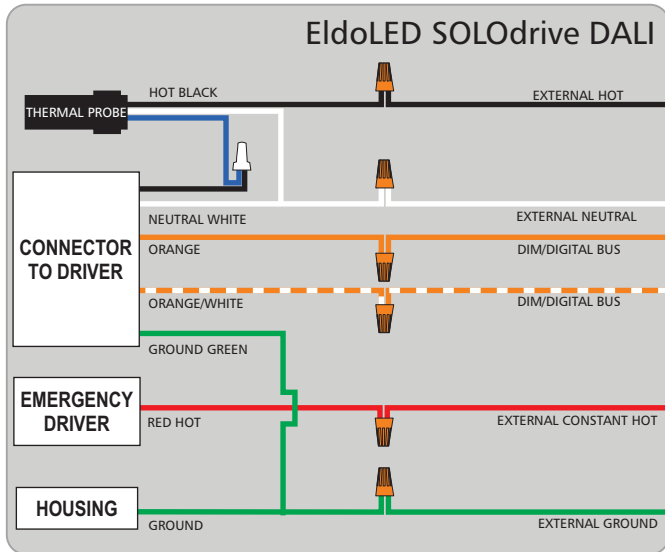
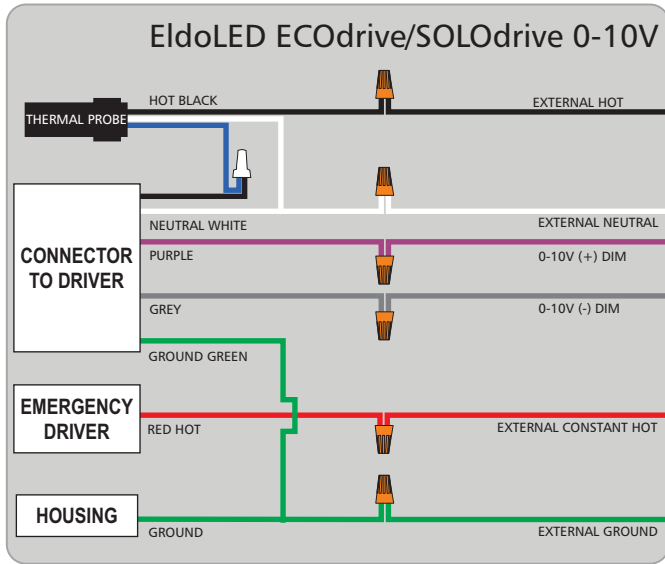
## Hi-Lume Driver Wiring



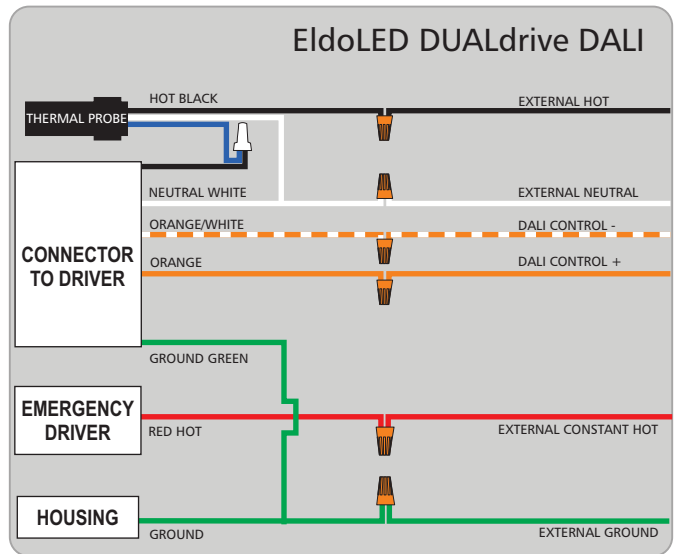
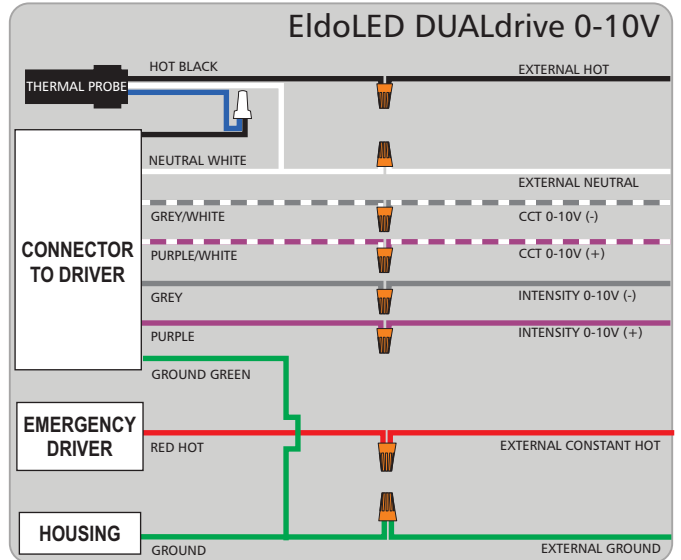
\* If green/ground connection is available, wire to ground.

# EMERGENCY NON-IC LABELED FIXTURE WIRING cont.

## EldoLED Driver Wiring

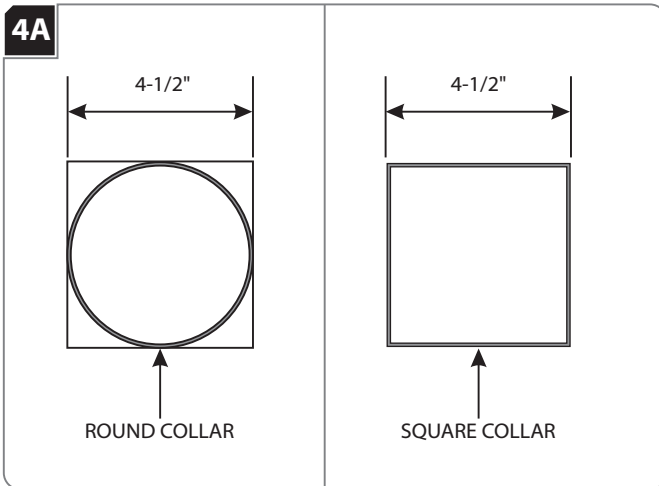


## EldoLED Tunable White Wiring



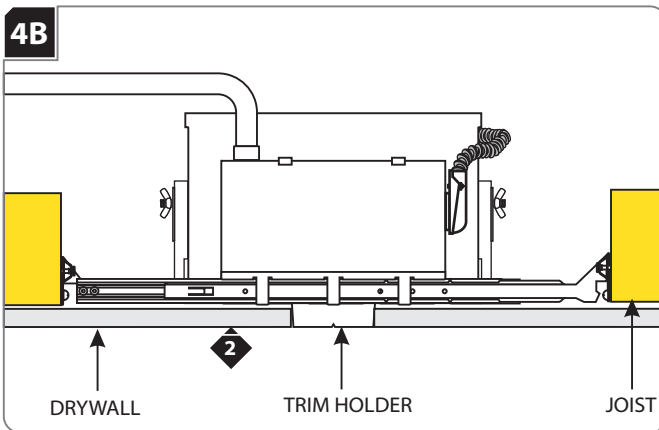
## Install Drywall

4A



- 1 For round trims, mark a 4-1/2" diameter circle on drywall. Cut out the marked section.  
For square trims, mark a 4-1/2" square on drywall. Cut out the marked section.

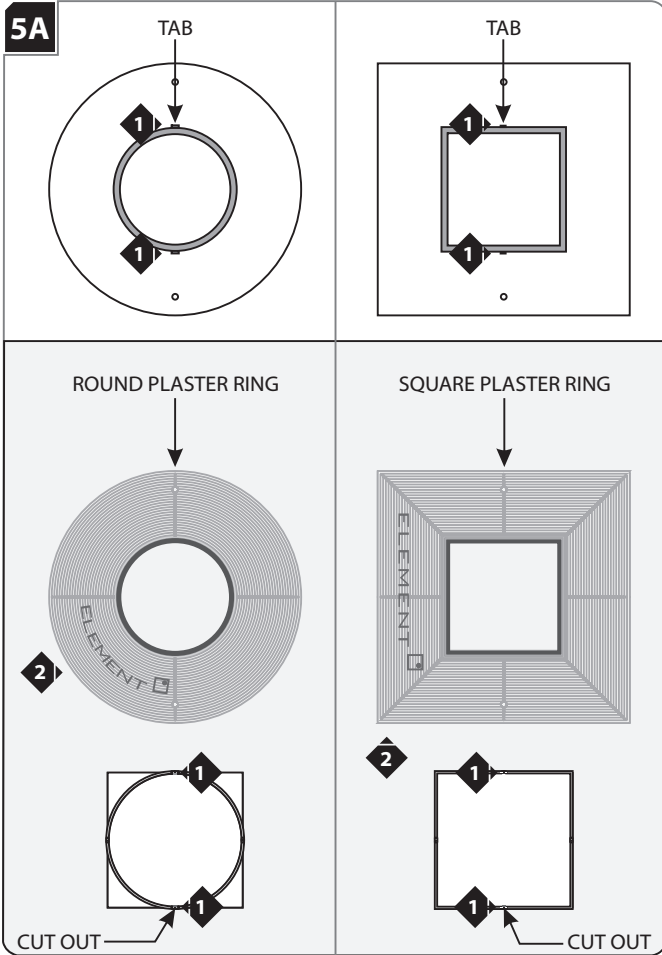
4B



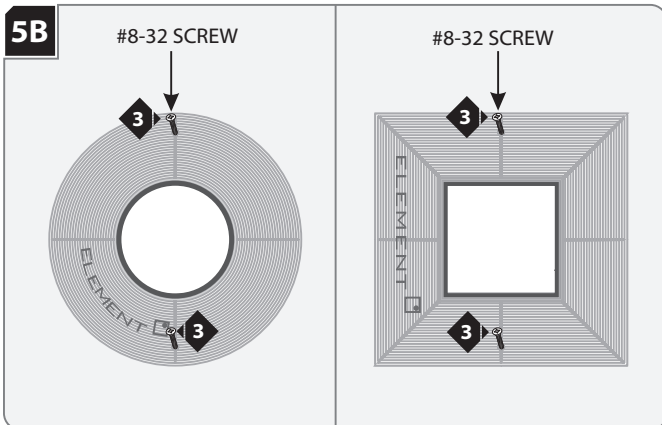
- 2 Align the cut out section of drywall with the collar and install drywall.

**WARNING: Risk of Fire:** The housing is not intended to be in contact with or covered with combustible materials and insulation. Do not install insulation within 3 inches of the housing sides or above in such a manner to entrap heat.

# Install Plaster Ring (For Flangeless Versions)

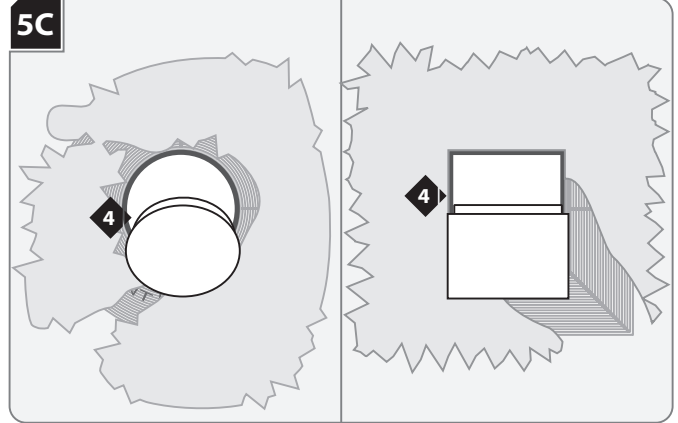


- 1 Line up the two tabs in back of the plaster ring with the two cut out sections of the collar inside edge.
- 2 Push the plaster ring tabs into the cut out sections of the collar edge.

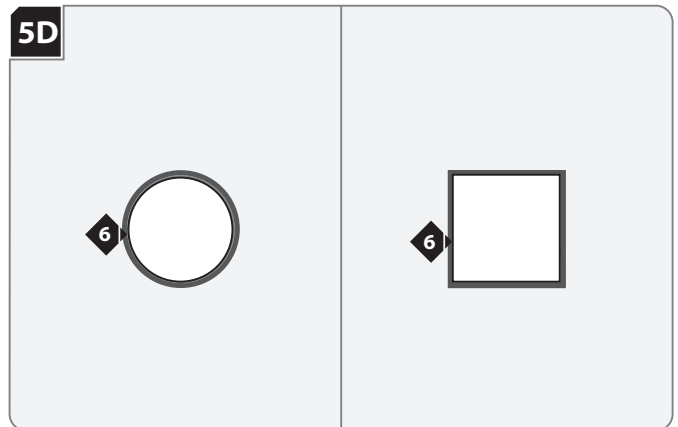


- 3 Secure the plaster ring in place with the two provided flat head #8-32 screws. Make sure that the screws penetrate through the drywall into the housing screw holes.

**NOTE:** Do not overtighten the screws! Overtightening may bend the plaster ring, causing the plaster surface to come away from the drywall.



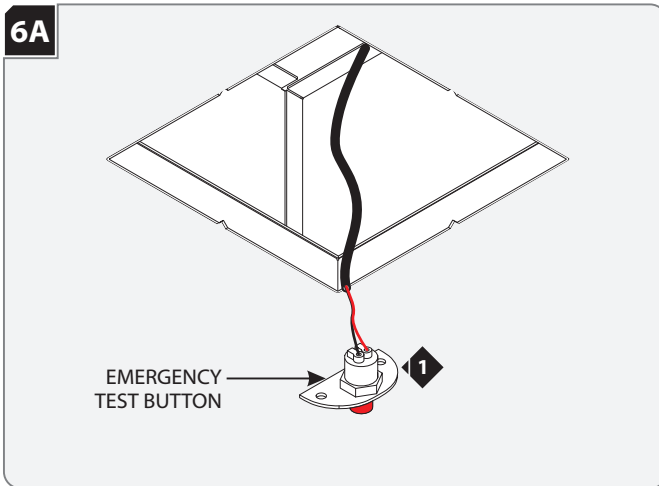
- 4 Plug the collar with the provided dust shield.
- 5 Properly plaster onto the plaster ring and drywall.



- 6 Finish around the trim to match drywall.

## Prepare for Trim Installation

6A



- 1 Make sure to leave the Emergency Test Button accessible for trim installation.
- 2 Refer to trim instructions for installation.

**SAVE THESE INSTRUCTIONS!**

